

PRODUCT INFORMATION PACKET

Model No: 5K49ZN6433S

Catalog No: K1520

2 HP Condenser Fans HVAC/R Motor, 3 phase, 1200 RPM, 575 V, 56Z Frame, ODP
Condenser Fans Motors



Nameplate Specifications

Output HP	2 Hp	Output KW	1.5 kW
Frequency	60 Hz	Voltage	575 V
Current	2.5 A	Speed	1140 rpm
Service Factor	1	Phase	3
Efficiency	80.5 %	Power Factor	0
Duty	Continuous	Insulation Class	B
KVA Code	H	Frame	56Z
Enclosure	Drip Proof	Thermal Protection	AUTO
Ambient Temperature	65 °C	Drive End Bearing Size	6203
Opp Drive End Bearing Size	6203	UL	Recognized
CSA	Yes	CE	N

Technical Specifications

Electrical Type	Three Phase	Starting Method	N/R
Poles	6	Rotation	Counterclockwise/Clockwise
Mounting	Round	Motor Orientation	VSU
Drive End Bearing	BALL	Opp Drive End Bearing	Ball
Frame Material	Rolled Steel	Overall Length	17.97 in
Frame Length	9.63 in	Shaft Diameter	0.630 in
Shaft Extension	6 in	Thru-bolts Extension	0 in
Outline Drawing	52A109359P7	Connection Drawing	52A110554

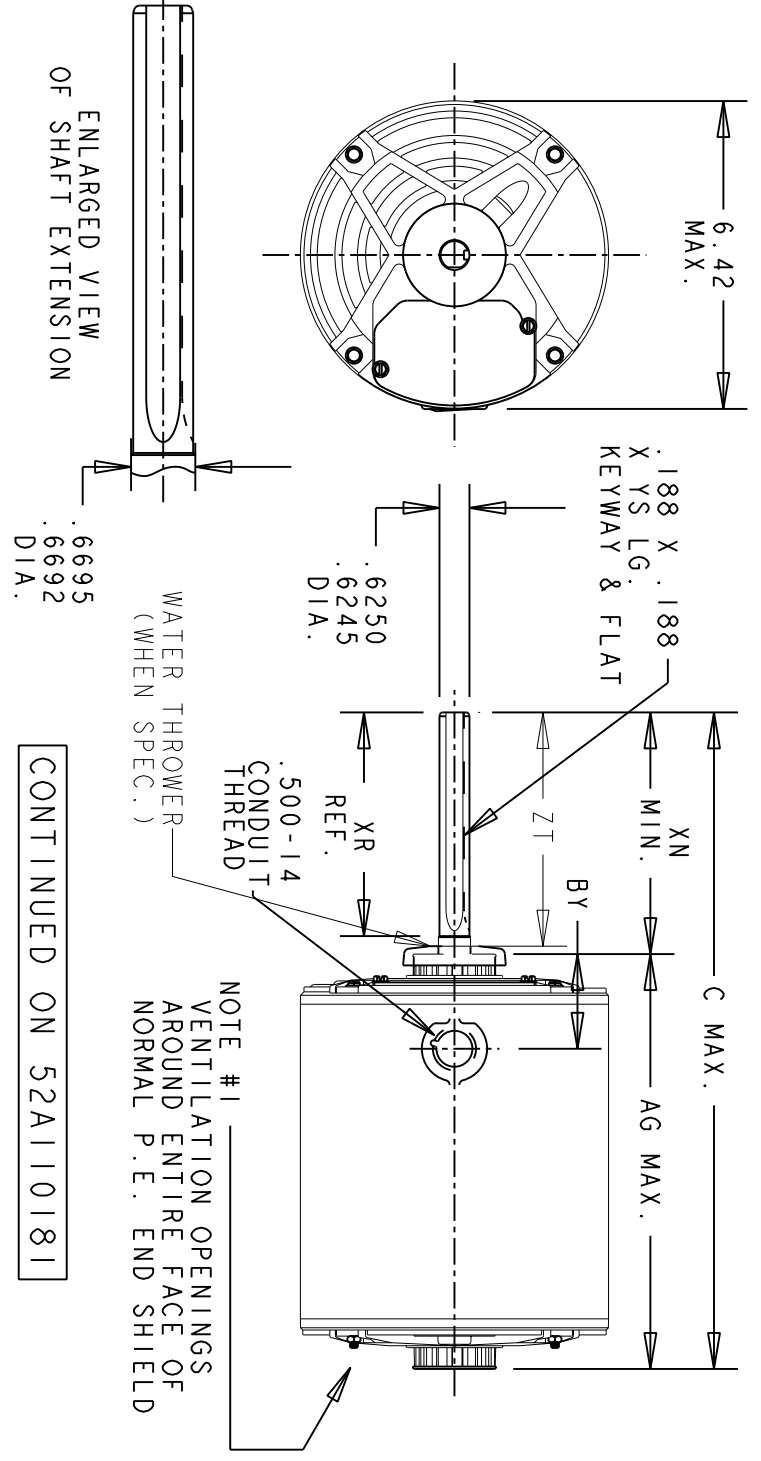
This is an uncontrolled document once printed or downloaded and is subject to change without notice. Date Created:03/11/2020

THIRD ANGLE PROJECTION



REVISIONS

REV.	DESCRIPTION	DATE	APPROVED
9	AS PER ISO3-0583 & 03-0584	03/28/03	MANTRI . U
10	CHG TO RBC FORMAT PER ISO5-1777	03/13/06	SUDHA



9	8	7	6	5	4	3	2	1	P
K	K	K	K	K	K	K	K	K	T
49	49	49	48	49	49	48	49	46	GE SIZE
56Z	56Z	56Z	56Z	56Z	56Z	56Z	56Z	56Z	NEMA FR
5.00	4.00	6.00	6.00	6.00	6.00	6.00	6.00	6.00	XN
16.97	14.02	17.97	16.77	14.89	16.02	16.77	16.02	14.89	C
11.85	9.90	11.85	10.65	8.77	9.90	10.65	9.90	8.77	AG
NOTE #1	NOTE #1	NOTE #1	NOTE #1	NOTE #1	NOTE #1	NOTE #1	NOTE #1	NOTE #1	REMARKS
9.63	7.68	9.63	8.43	6.55	7.68	8.43	7.68	6.55	SHELL LG.
2.07/1.95	2.07/1.95	2.07/1.95	2.07/1.95	2.07/1.95	2.07/1.95	2.07/1.95	2.07/1.95	2.07/1.95	BY
4.74	3.74	5.74	5.74	5.74	5.74	5.74	5.74	4.66	XR
3.00	2.00	4.00	4.00	4.00	4.00	4.00	4.00	4.00	YS
4.77					5.77	5.73			ZT

SIGNATURES		DATE
MODEL	M.D. PAPER	11/05/93
DETAIL		
CHECKED		
ENGRG		
MFG		
QUALITY		
ISSUED	M.D. PAPER	11/05/93
SOLID MODEL: 52A109359		

REGAL-BELOTT CORPORATION

OUTLINE

40 FR. REDESIGN - OUTDOOR CONDENSOR -

TENV (SEI. DRIP PROOF (PE) - BALL BEARING FWF: 5K46LN60325

SCALE: 0.250 REF. No.:

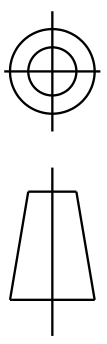
SIZE: DRAWING A

52A109359

REV 10

SHEET 1 of 1

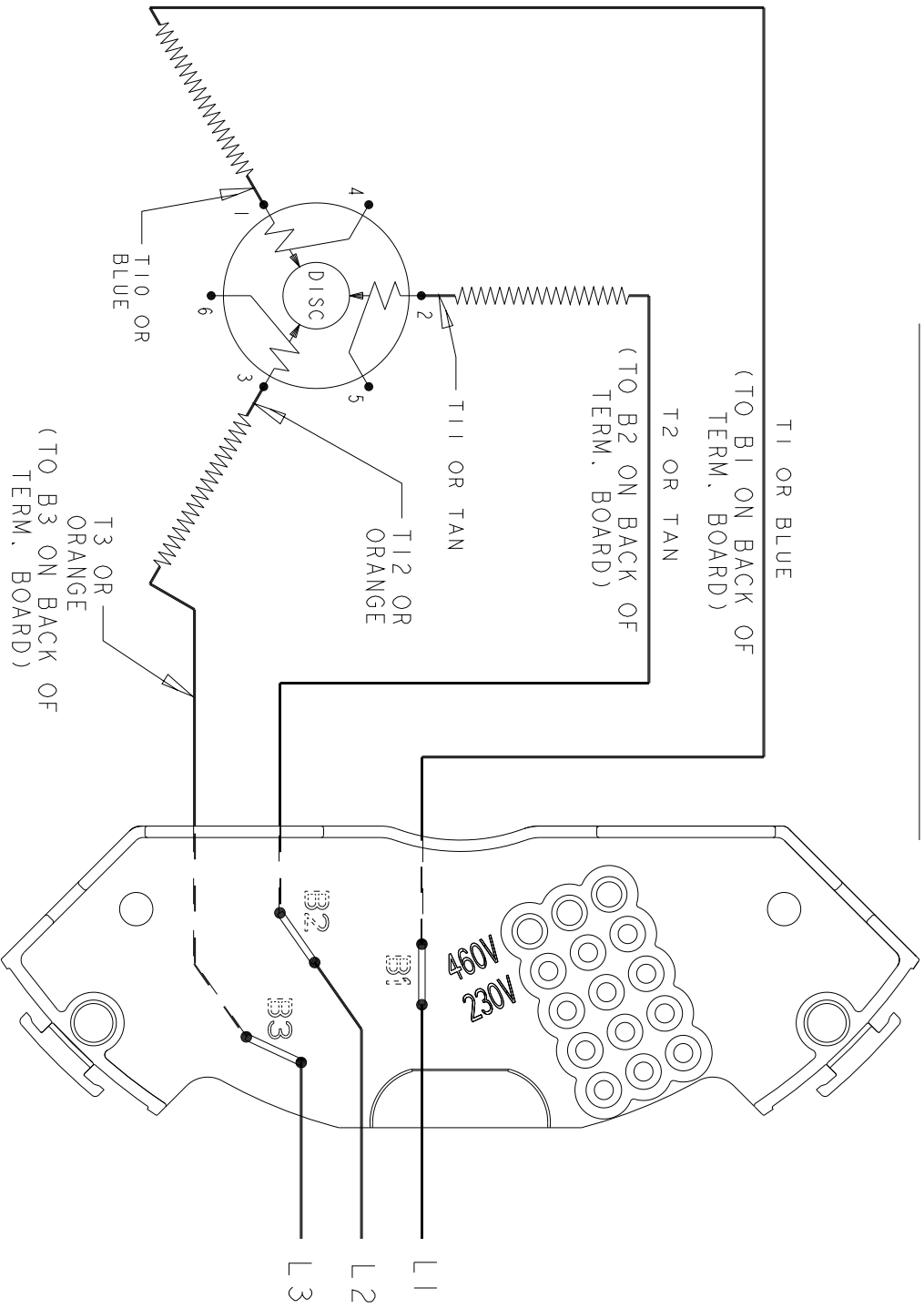
THIRD ANGLE PROJECTION



REVISIONS

REV.	DESCRIPTION	DATE	APPROVED
4	UPDATED TO RBC FORMAT	01/17/06	MAM
5	CHD. ROT. FROM CCW/CW TO DUAL	03/08/13	KARTHIK

DUAL ROTATION - SINGLE VOLTAGE
 TYPE K - THREE PHASE - 3 LEAD
 THERMAL PROTECTION



TO REVERSE ROTATION, INTERCHANGE ANY TWO LINE CONNECTIONS TO L1, L2 OR L3

TERMINAL BOARD - 114D918

REF. DIAG. - NONE

CONNECTION LABEL - NP52X333338AA

SIGNATURES	DATE
MODEL PC MOHAN	09/24/02
DETAIL	
CHECKED	
ENGRG	
MFG	
QUALITY	
ISSUED PC MOHAN	09/24/02
MATERIAL	SOLID MODEL: 52A110554



REGAL-BELOTT CORPORATION

CONNECTION DIAGRAM

TITLE	FME: TYPE K - VOLTAGE CHANGE DEVICE - SINGLE VOLTAGE	
SIZE	DRAWING	REV
A		5
SCALE:	1.000	REF. No:
		SHEET 1 of 1